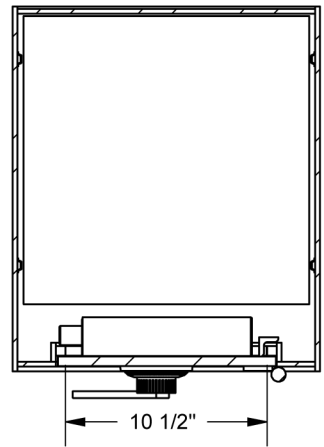
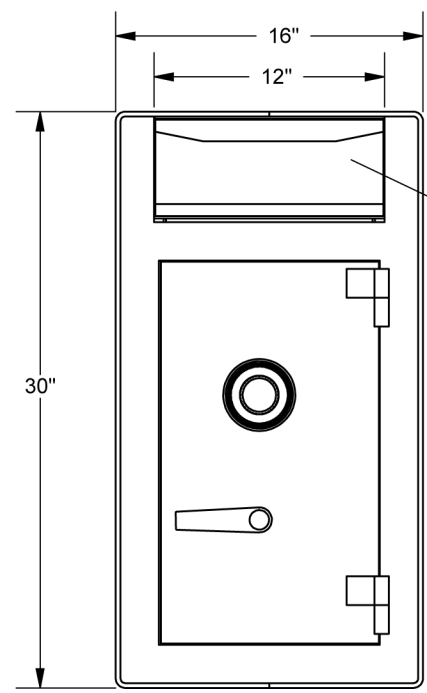


B3016-MB HEAVY DUTY DEPOSITORY

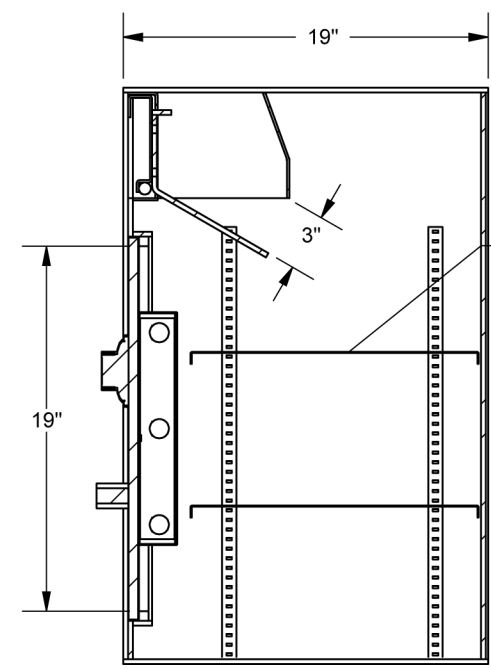


TOP SECTION



FRONT VIEW

FRONT LOAD
DROP SAFE



SIDE SECTION

2 ADJUSTABLE
SHELVES