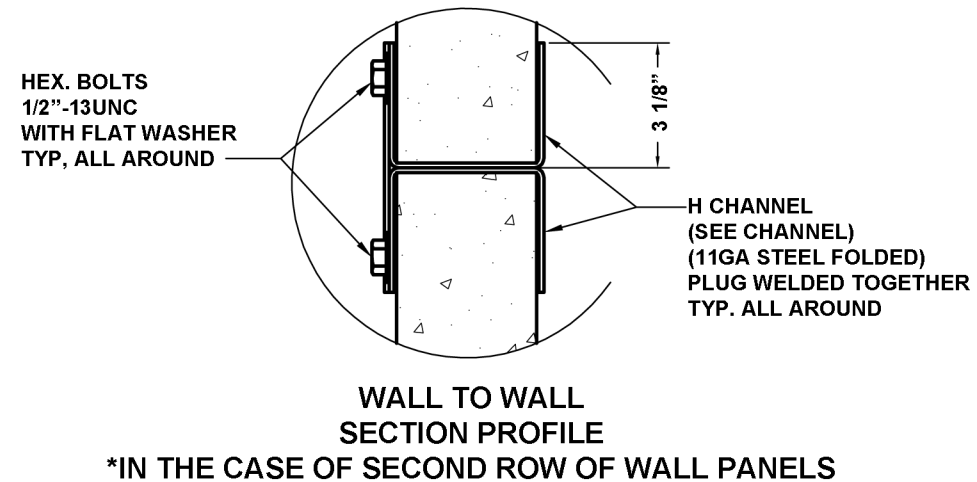
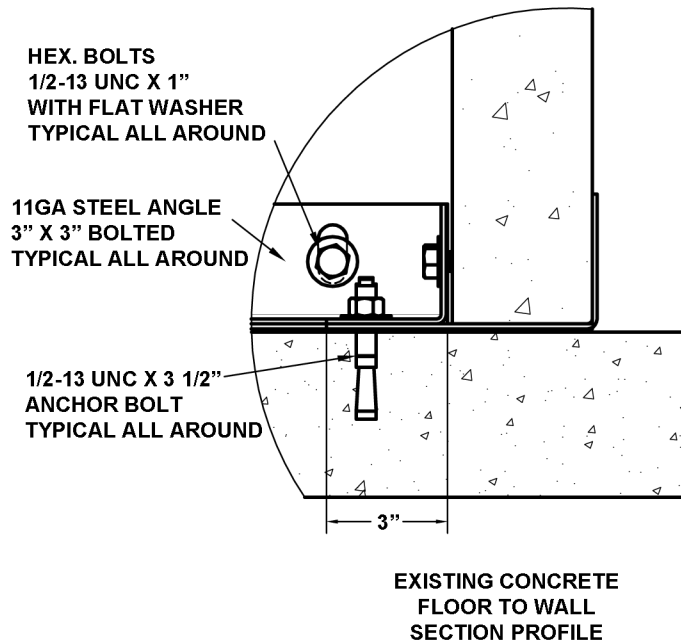
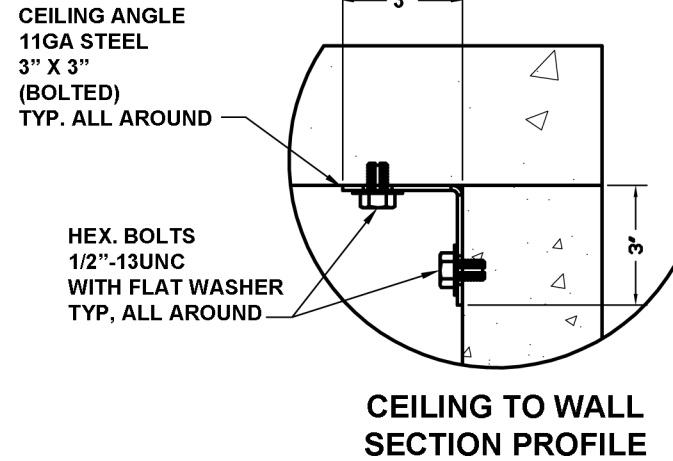
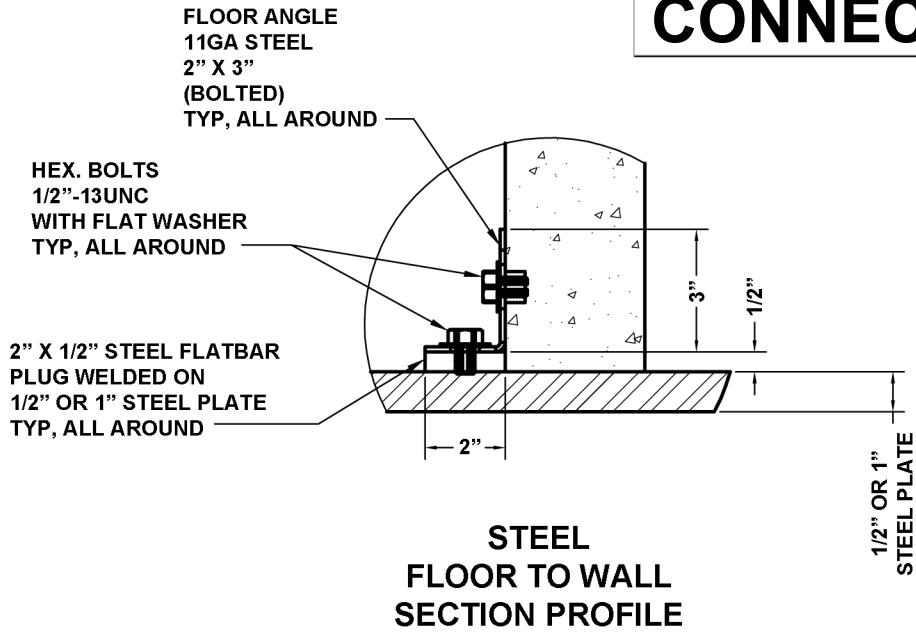


VAULT PANEL CONNECTION DETAILS



BOLTED VAULT, TYPICAL ANCHOR DETAILS



WWW.ACCESS-SAFE.COM
5490 Harvester Road, Unit 1
Burlington, Ontario, Canada
L7L 5V4

TELEPHONE: 905-337-7874
FAX: 905-632-8224
TOLL FREE: 1-800-268-9033