

# Duravault UL TL30X6 Series

## UL TL30X6 High Security Composite Burglary Safe

The Duravault offers the ultimate in TL30X6 protection. With its high-tech 2 1/2" thick body and 6" thick door utilizing our proprietary barrier material, modern high-strength alloy, sophisticated glass relocking system, high security combination locks and massive boltwork, the Duravault is our latest generation of TL30X6's to successfully receive UL approval.

### Door & Body

The door has a thickness of 5 1/2". The safe has a total body thickness of 2 1/2". High strength alloy and our proprietary barrier material combine to provide multi-layer protection designed to withstand the most sophisticated attack by tools, torch or explosives.

### Locks

UL listed manipulation resistant Group 2m combination lock with spy proof dial are used on all TL30X6 safes.

### Boltwork

Massive full length stainless steel locking bar. Provides complete protection along the locking edge.

### Glass Relockers

AA large tempered glass plate is used to protect vital areas of the locking mechanism. If attacked, the glass will shatter and cause the relockers to activate thereby preventing the safe from being opened.



\*TLX7236

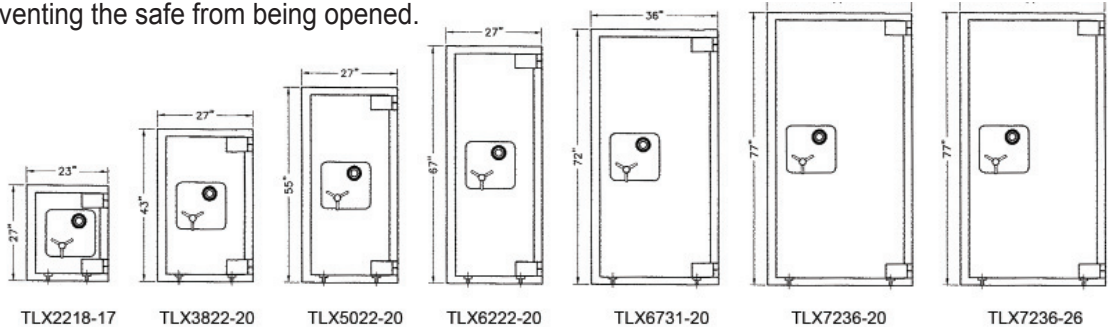
\* Actual product may be different than shown

### Interior

All models are supplied with fully adjustable and removable shelves.

### Options Available

UL listed electronic digital locks, Time locks, Inner compartment / lockers.



### SPECIFICATIONS

Model	Interior Dimensions (in.)			Exterior Dimensions (in.)			Capacity Ft3	Weight lb.	Door Swing Dimensions (in)		
	Height	Width	Depth	Height	Width	Depth			Model	A	B
TLX2218-17	22	18	17	27	23	25 1/2	3.9	1,175	TLX2218-17	46 3/8	42 1/4
TLX3822-20	38	22	20	43	27	28 1/2	9.7	2,200	TLX3822-20	53 3/8	50 1/4
TLX5022-20	50	22	20	55	27	28 1/2	12.7	2,500	TLX5022-20	53 3/8	50 1/4
TLX6222-20	62	22	20	67	27	28 1/2	15.8	3,240	TLX6222-20	53 3/8	50 1/4
TLX6731-20	67	31	20	72	36	28 1/2	24.0	4,250	TLX6731-20	62 3/8	68 1/4
TLX7236-20	72	36	20	77	41	28 1/2	30.0	5,010	TLX7236-20	67 3/8	78 1/4
TLX7236-26	72	36	26	77	41	34 1/2	39.0	5,730	TLX7236-26	73 3/8	78 1/4

Add 2" to depth for handle projection. All specifications are approximate and subject to change without notice.